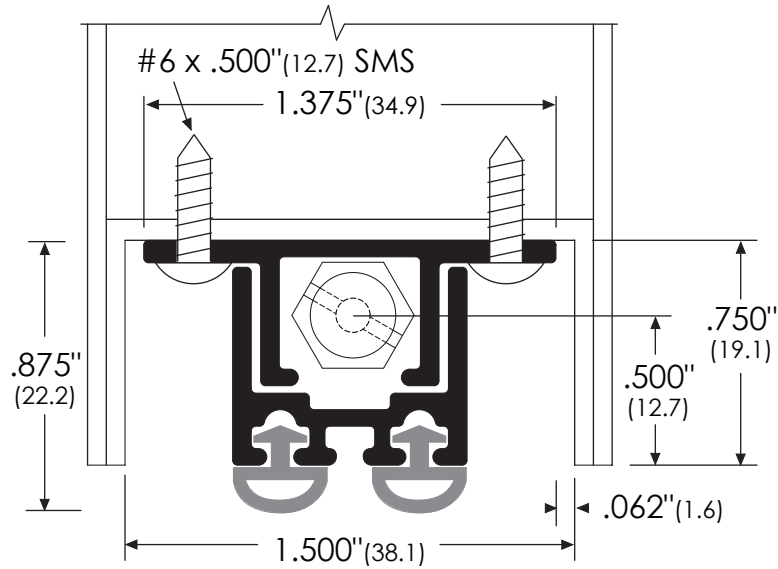




UL listed



10C Classified



Legend:

A = Aluminum

ANSI/BHMA

#355A

R3B324

	415 Concord Avenue tel: 718.585.3230 Bronx, NY 10455 fax: 718.292.2243 email: zero@zerointernational.com web site: www.zerointernational.com	Part No: 355	
	Notes:	Part Description: Automatic Door Bottom - Mortised / Regular - FLO Option	
Provided By:	Customer Name:	Job No:	Date: