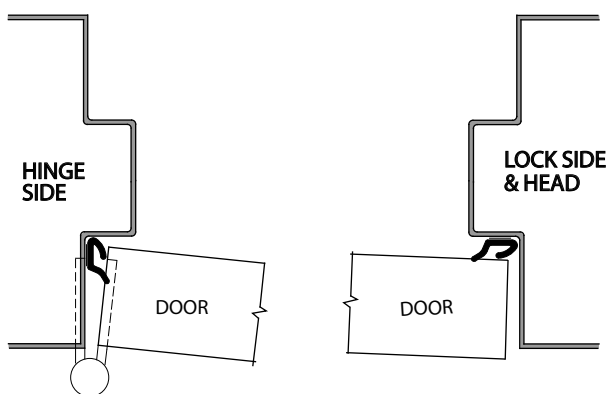
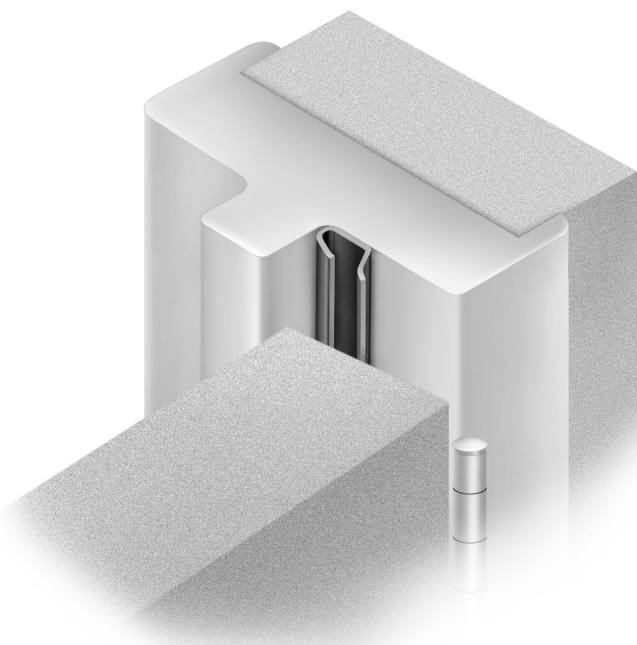
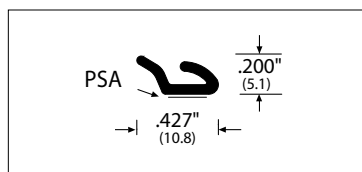


# #8042 Self Adhesive Weatherstripping INSTALLATION INSTRUCTIONS

IMPORTANT : DO NOT STRETCH THE SEAL DURING INSTALLATION.



## Before Installation :

- 1 Surface of frame to be THOROUGHLY cleaned where the gasketing is to be applied (see drawings). Either a solvent cleaner (such as mineral spirits) or common detergent cleaner may be used. Make sure to check for any impediments (dust, dirt, oil, grease, etc) or loose paint and remove them from the surface area.
- 2 Surface area must be COMPLETELY dry before the installation process begins.
- 3 Gasketing is best applied at a temperature range of 70 to 90°F (21 to 32°C). Do not apply if temperature falls below 50°F (10°C) or exceeds 100°F (38° C).
- 4 We recommend that the gasketing be installed after the doors and frames have been finish painted and the paint has dried.

## How to Install :

- 1 The first piece of gasketing should be the head piece and should be the entire length of the head. Measure and cut the weatherstrip to size and locate properly (See drawing for location on head). Remove the paper backing from self adhesive strip (PSA) 1 to 2' (304.8 to 609.6mm) at a time and press firmly into place as you align and install the gasketing on the head.

**IMPORTANT : DO NOT STRETCH THE SEAL DURING INSTALLATION.**

- 2 The strike jamb gasketing should be installed next. See drawing for location on strike jamb, following procedurs as outlined in step 1.
- 3 Install the hinge jamb gasketing last. See drawing for location on hinge jamb, following procedures as outlined in step 1.
- 4 **DO NOT CLOSE THE DOOR IMMEDIATELY AFTER INSTALLATION.** Awaiting period of 20-30 minutes should be allowed for the material to set up.



## ZERO INTERNATIONAL, INC.

415 Concord Avenue, Bronx, NY 10455-1004

Tel : 718-585-3230 • Fax : 718-292-2243

E-mail : zero@zerointernational.com

www.zerointernational.com

